

# State of Wyoming Corner Record

(In compliance with the **CORNER PERPETUATION AND FILING ACT**, Wyoming Statutes, 1977 Section 36-11-101, et. seq., and the Rules and Regulations of the Board of Professional Engineers and Professional Land Surveyors)

Reverse side of this form may be used if more space is needed.

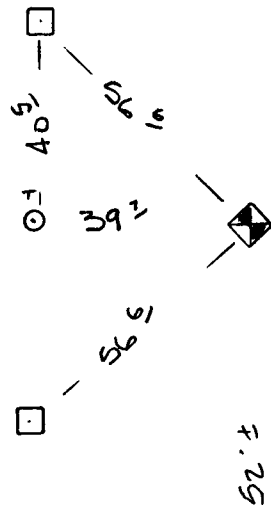
Record of original survey and citation of source of historical information (if corner is lost or obliterated). Description of corner monumentation evidence found and/or monument and accessories established to perpetuate the location of this corner. Sketch of relative location of monument, accessories, and reference points with course and distance to adjacent corner(s) (if determined in this survey). Method and rationale for reestablishment of lost or obliterated corner.

FOUND 6" x 9" GRANITE STONE  
W/ 5 SLASHES ON TOP. STONE  
IS 0" BELOW SURFACE IN  
OPEN PASTURE.

FND. W.CLR STONE  
W/ CHIS X 0"  
ABOVE GROUND

FND PIN + CAP  
LS 387  
W/ METAL T POST

FND. W.CLR STONE  
W/ CHIS X 0"  
ABOVE GROUND



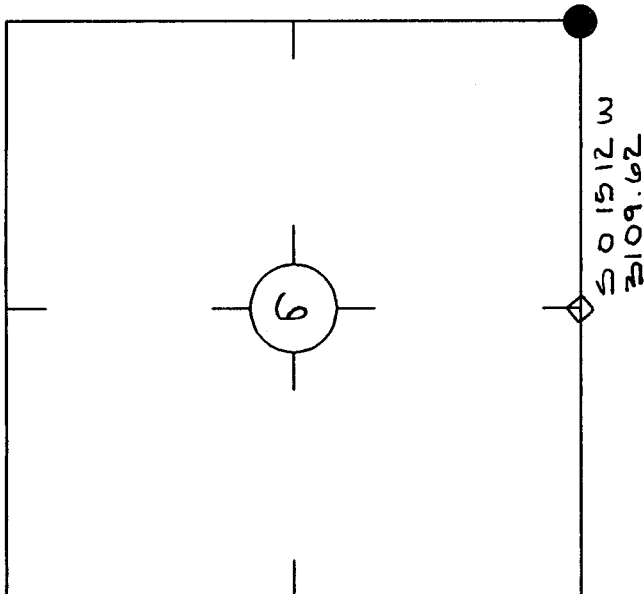
RECEIVING  
LARAMIE COUNTY CLERK  
CHEYENNE, WY

1995 FEB -2 PM 12:23  
**157353**



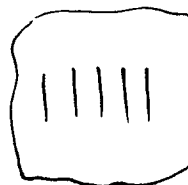
### Monument location

T17N  
T16N



POWER LINE

### Monument Inscription



Date of Field Work: 1-24-95

Office Reference: 95003

### Cross Index Plat

1	2	3	4	5	6	7	8	9	10	11	12	13	14	15	16	17	18	19	20	21	22	23	24	25	
A																									
B	+	+	+	+	+	+	+	+	+	+	+	+	+	+	+	+	+	+	+	+	+	+	+	+	
C	+	6	+	+	5	+	+	+	+	4	+	+	+	3	+	+	+	+	2	+	+	+	+	1	+
D	+	+	+	+	+	+	+	+	+	+	+	+	+	+	+	+	+	+	+	+	+	+	+	+	
E	+	+	+	+	+	+	+	+	+	+	+	+	+	+	+	+	+	+	+	+	+	+	+	+	
F	+	+	+	+	+	+	+	+	+	+	+	+	+	+	+	+	+	+	+	+	+	+	+	+	
G	+	7	+	+	8	+	+	9	+	+	10	+	+	11	+	+	12	+	+	+	+	+	+	+	
H	+	+	+	+	+	+	+	+	+	+	+	+	+	+	+	+	+	+	+	+	+	+	+	+	
J	+	+	+	+	+	+	+	+	+	+	+	+	+	+	+	+	+	+	+	+	+	+	+	+	
K	+	+	+	+	+	+	+	+	+	+	+	+	+	+	+	+	+	+	+	+	+	+	+	+	
L	+	18	+	+	17	+	+	16	+	+	15	+	+	14	+	+	13	+	+	+	+	+	+	+	
M	+	+	+	+	+	+	+	+	+	+	+	+	+	+	+	+	+	+	+	+	+	+	+	+	
N	+	+	+	+	+	+	+	+	+	+	+	+	+	+	+	+	+	+	+	+	+	+	+	+	
O	+	+	+	+	+	+	+	+	+	+	+	+	+	+	+	+	+	+	+	+	+	+	+	+	
P	+	19	+	+	20	+	+	21	+	+	22	+	+	23	+	+	24	+	+	+	+	+	+	+	
Q	+	+	+	+	+	+	+	+	+	+	+	+	+	+	+	+	+	+	+	+	+	+	+	+	
R	+	+	+	+	+	+	+	+	+	+	+	+	+	+	+	+	+	+	+	+	+	+	+	+	
S	+	+	+	+	+	+	+	+	+	+	+	+	+	+	+	+	+	+	+	+	+	+	+	+	
T	+	30	+	+	29	+	+	28	+	+	27	+	+	26	+	+	25	+	+	+	+	+	+	+	
U	+	+	+	+	+	+	+	+	+	+	+	+	+	+	+	+	+	+	+	+	+	+	+	+	
V	+	+	+	+	+	+	+	+	+	+	+	+	+	+	+	+	+	+	+	+	+	+	+	+	
W	+	+	+	+	+	+	+	+	+	+	+	+	+	+	+	+	+	+	+	+	+	+	+	+	
X	+	31	+	+	32	+	+	33	+	+	34	+	+	35	+	+	36	+	+	+	+	+	+	+	
Y	+	+	+	+	+	+	+	+	+	+	+	+	+	+	+	+	+	+	+	+	+	+	+	+	
Z	+	+	+	+	+	+	+	+	+	+	+	+	+	+	+	+	+	+	+	+	+	+	+	+	
1	2	3	4	5	6	7	8	9	10	11	12	13	14	15	16	17	18	19	20	21	22	23	24	25	

Firm/Agency, Address

GEOSURV Inc.  
P.O. BOX 194  
121 N. HARRISON AVE.  
LAFAYETTE, COLORADO 80026  
Telephone: 303-666-0379

This corner record was prepared by me or under my direction and supervision.

SEAL & SIGNATURE



Corner Name NE SECTION COL Section 6, T 16 N, R 68 W, 6th P.M. Cross-Index No.: A-5

**BOOK 1392**

County: LARAMIE Wyoming

**0483**